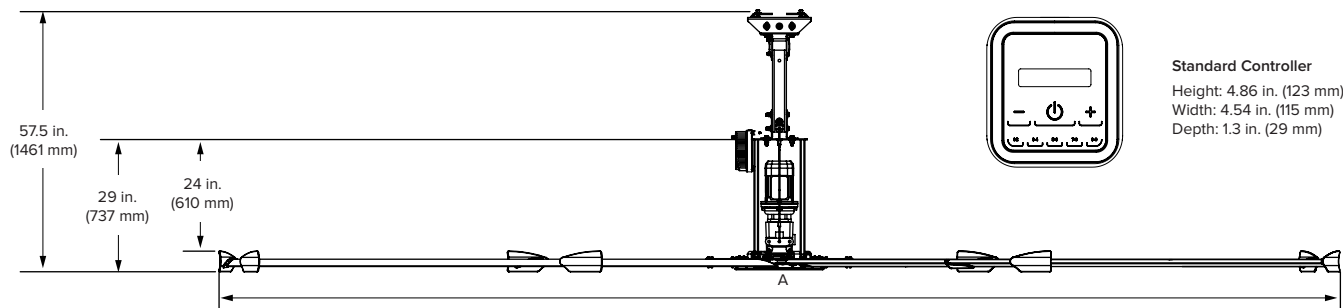


CB6

PERFORMANCE MARKED BY POWER AND EFFICIENCY




Pictured with 2 ft (610 mm) extension tube

Technical Specifications

Diameter (A)	Weight ¹	Max Speed	Input Power and Required Breaker	Motor Horsepower	Airfoil Clearances	Max Operating Temperature
14 ft (4.3 m)	192 lb (871 kg)	110 RPM	200–240 VAC, 50/60 Hz, 1 Φ, 25 A 200–240 VAC, 50/60 Hz, 3 Φ, 15 A 400–480 VAC, 50/60 Hz, 3 Φ, 10 A	1.5 hp (1.1 kW)	2 ft (0.6 m) on sides 5 ft (1.5 m) below ceiling	104°F (40°C)
16 ft (4.9 m)	204 lb (92.5 kg)	98 RPM		2.0 hp (1.5 kW)	2 ft (0.6 m) on sides 6 ft (1.8 m) below ceiling	
20 ft (6.1 m)	217 lb (98.4 kg)	76 RPM			2 ft (0.6 m) on sides	
24 ft (7.3 m)	231 lb (104.8 kg)	61 RPM			7 ft (2.1 m) below ceiling	

Construction Features

Airfoils	Motor and Drive ³	Certifications	Mounting	Multi-Point Safety ⁴	Warranty
Six patented Powerfoil airfoils (mill finish) Powerfoil winglets eliminate wind noise (black)	Industrial-grade motor and gearbox feature inline helical-cut gears for efficient, durable, and reliable operation; lubricated for life with synthetic oil Onboard NEMA 4X VFD eliminates RFI and EMI noise	 UL Standard 507 and CSA Standard 22.2 No. 113	Standard upper mount installs to I-beams and bar joists Extension tubes available in 2, 5, or 10 ft (0.6, 1.5, or 3 m) lengths Optional kits allow for mounting to solid beams and purlins	Double safety cable system, airfoil retainers, hub safety clips, Grade 8 hardware, fire relay, and guy wires	1 year See full warranty for coverage information.

Standard Controller

Construction	Controls
Made from durable UV-resistant materials Rated IP55 Intuitive touchscreen interface	On/Off and variable speed control Password protection Powered by fan drive



Lead times may vary. See full warranty for coverage information.

¹ Weight does not include mount or extension tube.
² Measure the distance from the tip of the winglet to the ceiling or major obstruction.
³ The VFD is not preinstalled on the fan. Mounting the VFD onboard the fan requires field installation.
⁴ Guy wires are included with fans that have extension tubes 4 ft (1.2 m) or longer.



USA
BIGASSFANS.COM
877-244-3267

CANADA
BIGASSFANS.COM
844-924-4277

AUSTRALIA
BIGASSFANS.COM/AU
1300 244 277

SINGAPORE
BIGASSFANS.COM/SG
65 6709 8500