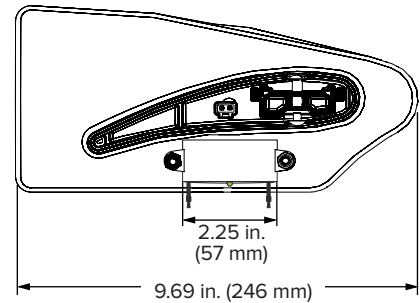
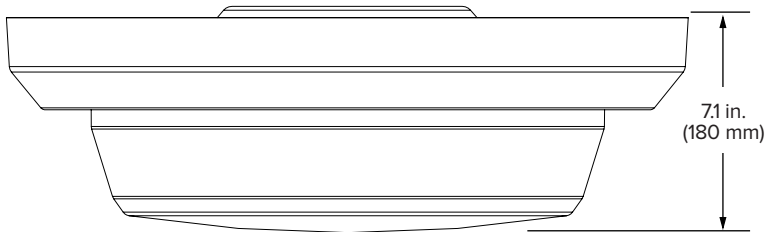
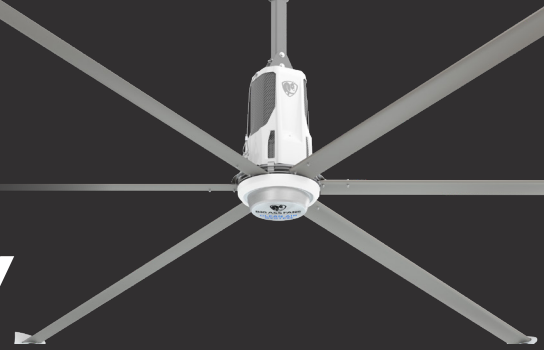



POWERFOIL® BREEZE WITH ION TECHNOLOGY



Technical Specifications¹

Compatible Fan	Input Power	Ionization Output	Ionizer Wattage	Ordering Information
Powerfoil Breeze	12 VDC, 50/60 Hz	Needlepoint brush Non-ozone producing	<1W	S78

Construction Features¹

Housing and Bracket	Operation	Environment	Colors	Certifications
Ionizer made from durable and lightweight ABS with potted electronics Secured to winglet for maximum ion distribution	Indicator LED illuminates when ions are produced	Indoor use only	White with white winglets Silver with black winglets	 <ul style="list-style-type: none"> UL 867 UL 2998 UL 507 CSA C22.2 No. 113



White with silver



Silver with black



Black



White

¹ See the Powerfoil Breeze fan cut sheet for complete fan features and specifications.
² EPA Est. 97457-KY-1

Lead times may vary.
See full fan warranty for coverage information.



CLEAN AIR SYSTEM

USA
BIGASSFANS.COM
877-244-3267

CANADA
BIGASSFANS.COM
844-924-4277

AUSTRALIA
BIGASSFANS.COM/AU
1300 244 277

SINGAPORE
BIGASSFANS.COM/SG
65 6709 8500

MALAYSIA
BIGASSFANS.COM/SG
603 5565 0888