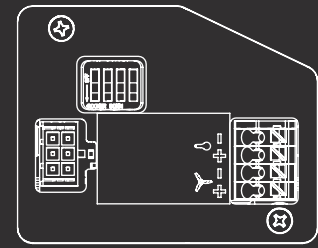


# HAIKU

## 0-10 V MODULE



The Haiku 0–10 V driver offers the convenience of integrating Haiku fans with a home or building automation system or virtually any 3rd party 0–10 V dimmer using an industry-standard protocol. Tucked away neatly in the escutcheon, the 0–10 V driver provides independent control of fan speeds and light intensity while supporting daisy-chaining for one or up to 10 fans — sorry, constraints for number of fans are determined by the specific OEM controller.

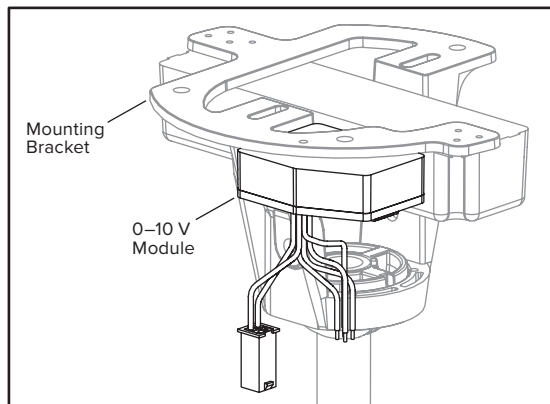
The driver offers ultimate flexibility of control for Haiku fans by providing a voltage between 0 and 10 VDC to produce varying fan speeds and lighting levels — 10 V as 100% on and 0–1 V as off.

### FEATURES

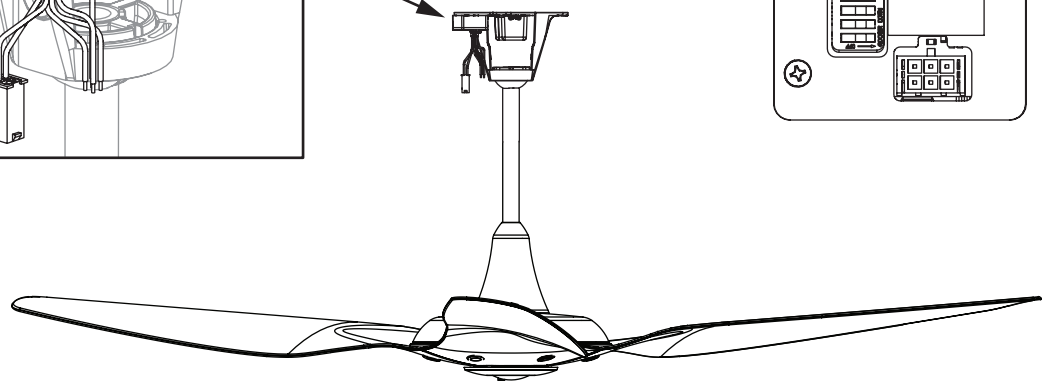
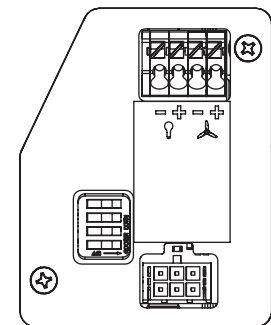
- Fan control: speed up/down and on/off
- Light control: intensity up/down and on/off
- No programming involved
- 0–10 V driver “sinks or sources” voltage — Standard ANSI E1.3
- Compatible with any 0–10 V “sinking/sourcing” dimmer (Lutron Diva — DDTV-WH available upon request)
- Compatible with most home or building automation systems
- Compatible with Universal Mount Haiku fans

### Technical Specifications

Model Number	Fan Speed/Light Intensity	Installation	Certifications
007343	100–0%, linear	Screw terminals from fan to driver Requires 0–10 V dimming input wiring Compatible with Universal Mount only	Intertek/ETL-certified to UL 507 and CSA 22.2



0–10 V Module



*Lead times may vary.  
Warranty period and terms vary by country and application.*



USA  
BIGASSFANS.COM  
877-244-3267

CANADA  
BIGASSFANS.COM  
844-924-4277

AUSTRALIA  
BIGASSFANS.COM/AU  
1300 244 277

SINGAPORE  
BIGASSFANS.COM/SG  
65 6709 8500