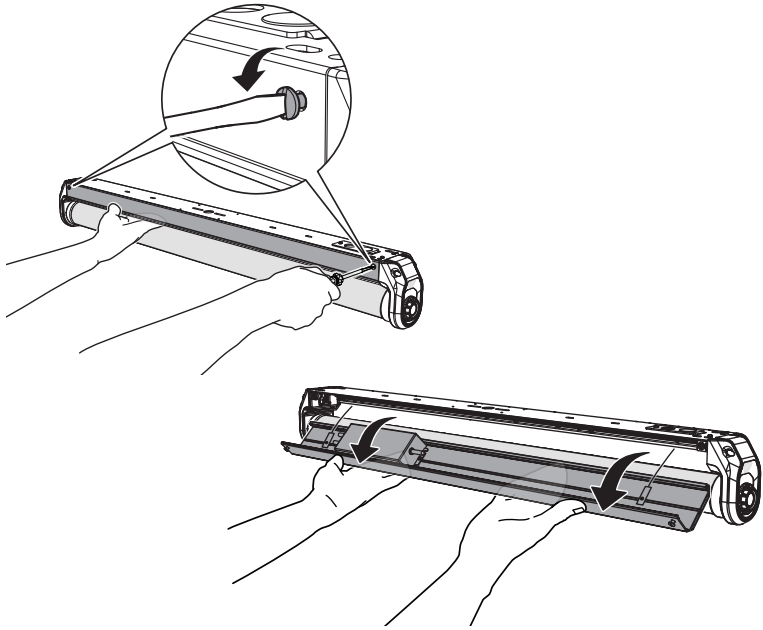


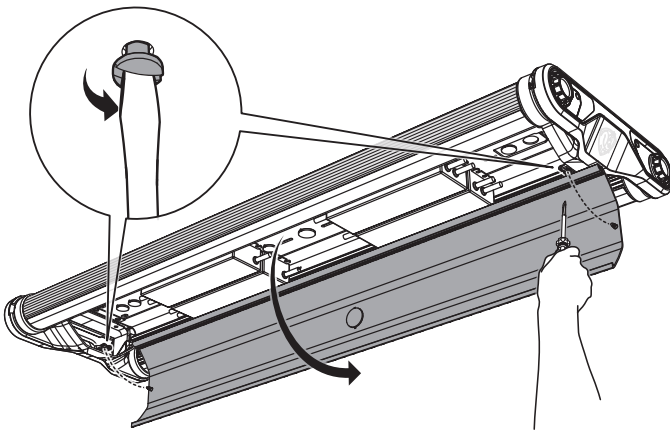
DRIVER REPLACEMENT

1. Open driver access door

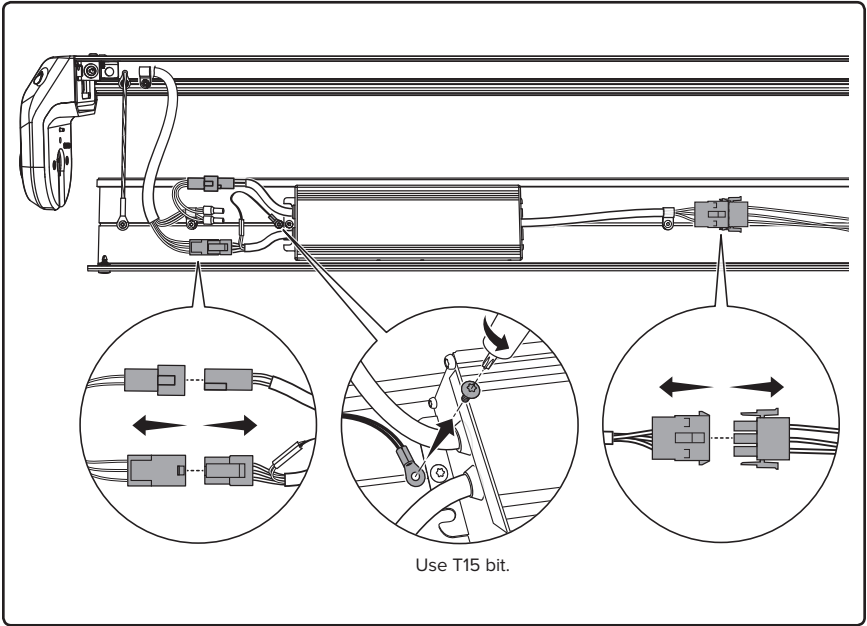
SBL1, GL1



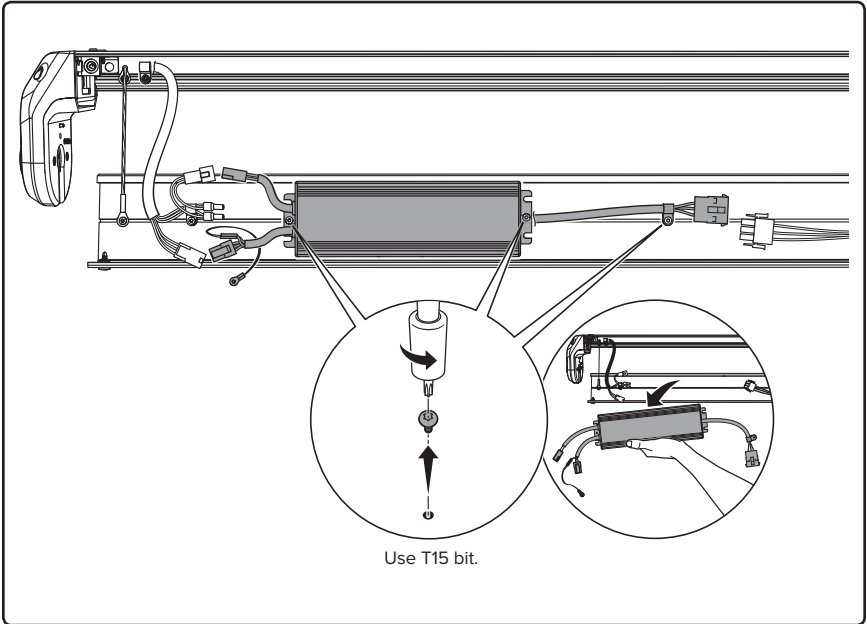
DBL1



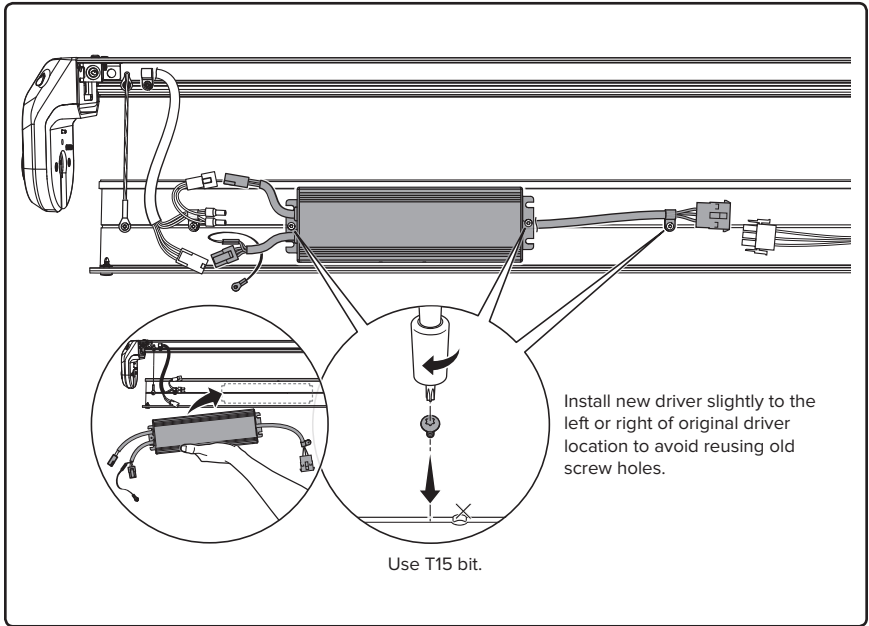
2. Disconnect driver wiring



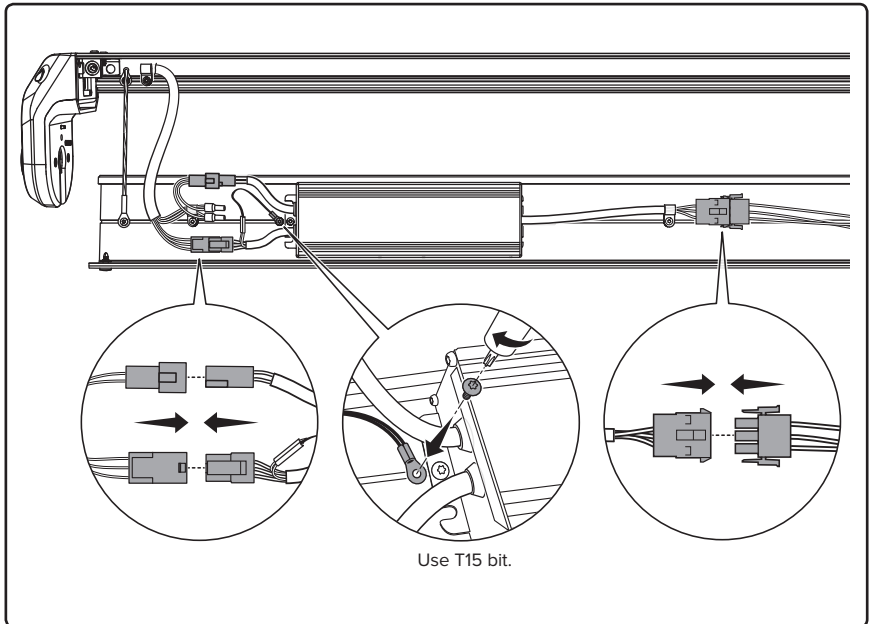
3. Remove original driver



4. Install new driver

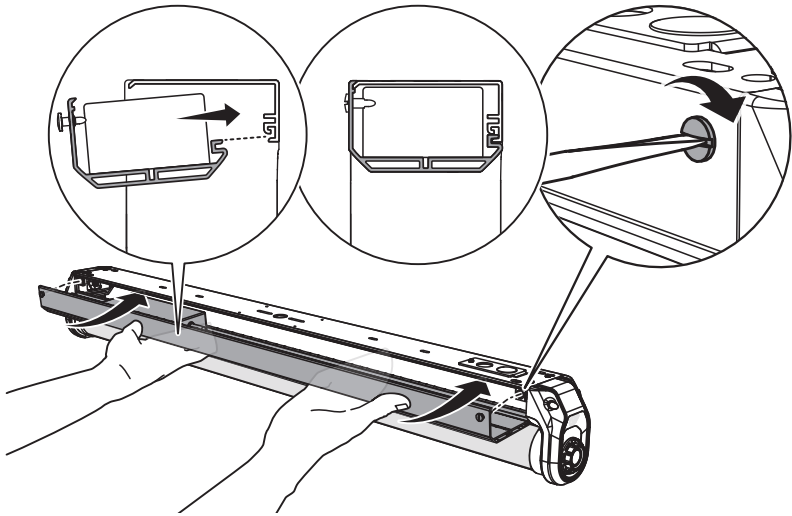


5. Connect new driver wiring



6. Close driver access door

SBL1, GL1



DBL1

