

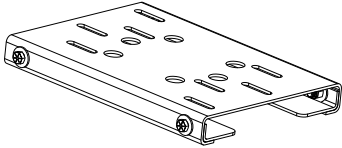
# COMPOUND ANGLE MOUNT

⚠ **CAUTION:** It is not recommended to mount a Big Ass Fan to a fabricated I-beam.

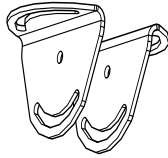
⚠ **CAUTION:** The I-beam on which the fan will be mounted must be part of the existing building structure.

## Parts and Hardware

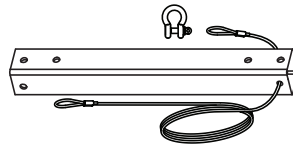
The hardware below is used in addition to the hardware supplied with the fan to install the compound angle mount. If you are missing any parts or hardware needed for installation, contact Customer Service at 1-877-BIG-FANS. *Note: Illustrations below are not to scale.*



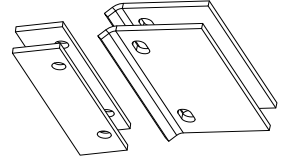
Compound Angle Mount



Upper Yoke



Extension Tube  
& Shackle



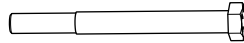
(2) Beam Clip  
& Spacer



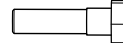
(16) 1/2" Flat  
Washer



(12) 1/2-13  
Nylock Nut



(4) 1/2"-13 x 4-1/2"  
Bolt



(4) 1/2"-13 x 2" Bolt



(4) 1/2"-13 x 1-3/4"  
Bolt

## Installation

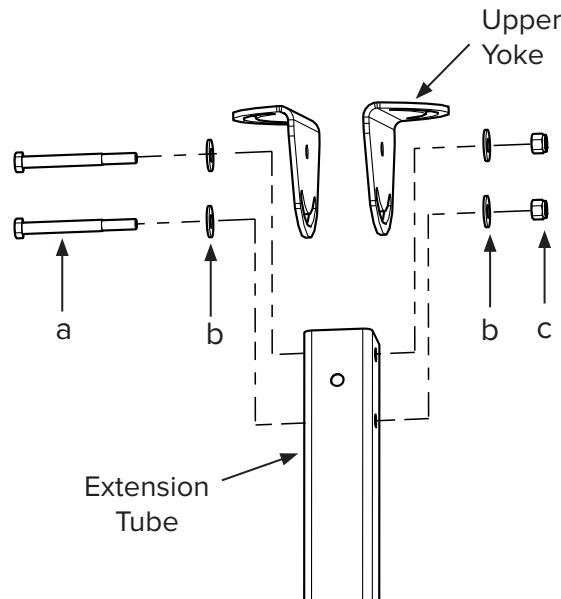
Follow the steps below to ensure the compound angle mount is properly mounted in the correct sequence.

### 1. Preassemble yoke and extension tube

Secure the extension tube to the upper yoke flanges with the Extension Tube hardware. Do not fully tighten the hardware. *Note: The safety cable, which is attached to the extension tube, is not shown in the illustration below.*

#### Extension Tube Hardware:

- a. (2) 1/2-13 x 4-1/2" Bolt
- b. (4) 1/2" Flat Washer
- c. (2) 1/2-13 Nylock Nut

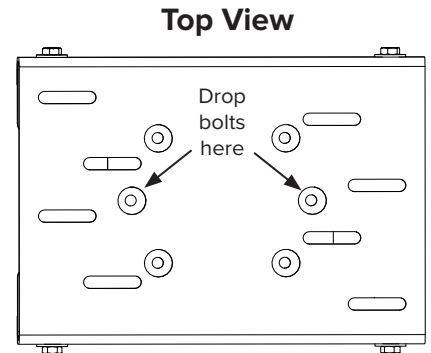
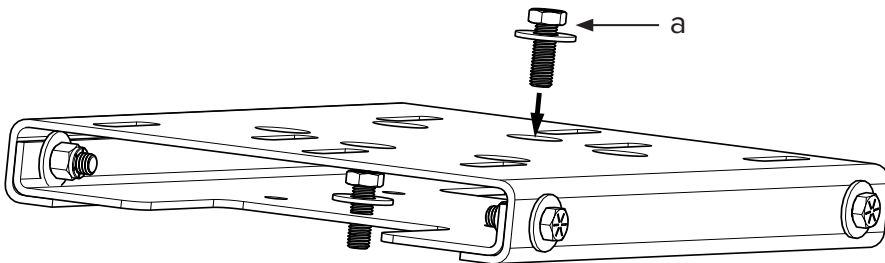


## 2. Prepare compound angle mount

Drop two (2) 1/2-13 x 1-3/4" bolts and washers into the holes of the compound angle mount. These bolts will be used to attach the upper yoke in step 4.

### Mounting Hardware:

- a. (2) 1/2-13 x 1-3/4" Bolt
- b. (2) 1/2" Flat Washer



## 3. Secure compound angle mount (to I-beam)

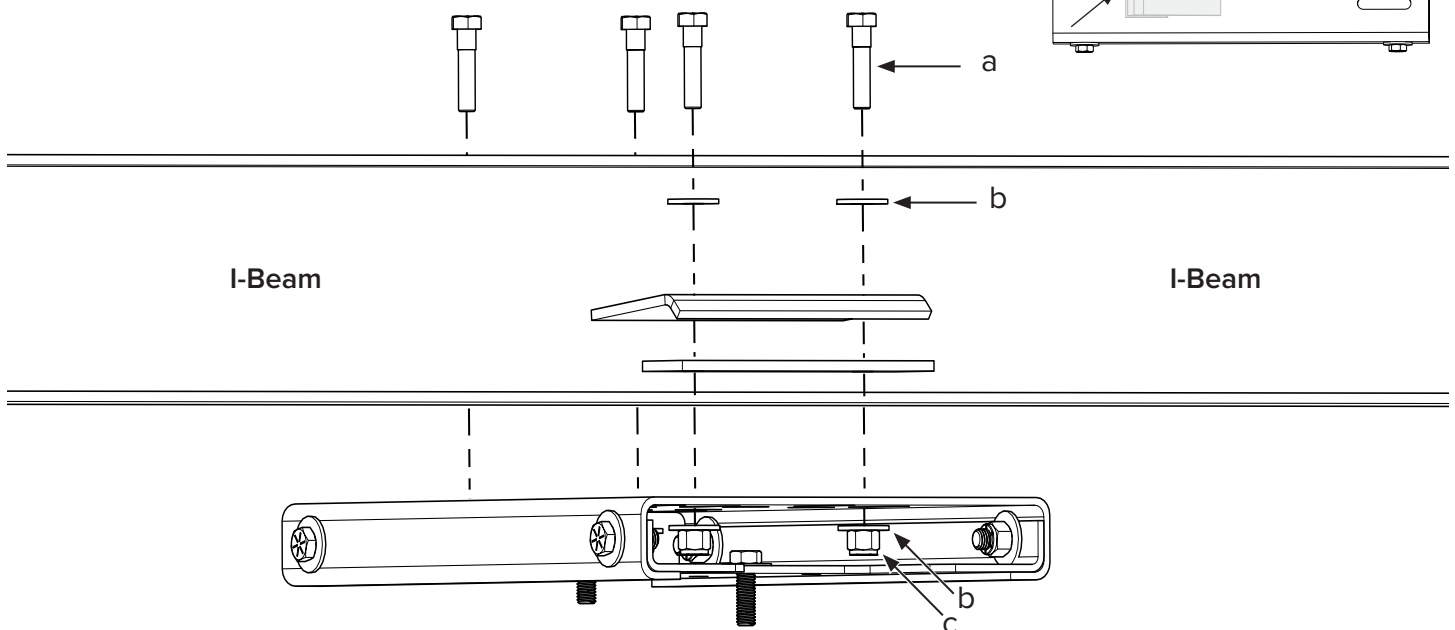
### ATTENTION

Ensure step 2 is completed before completing step 3.

Attach the compound angle mount to the I-beam with the Beam Clip Hardware. Make sure the bolts are installed in the slotted holes. Two sets of slotted holes are provided on each side of the mount to accommodate various beam sizes. Torque the bolts to **40 ft·lb (54.2 N·m)**.

### Beam Clip Hardware:

- a. (4) 1/2-13 x 2" Bolt
- b. (8) 1/2" Flat Washer
- c. (4) 1/2-13 Nylock Nut



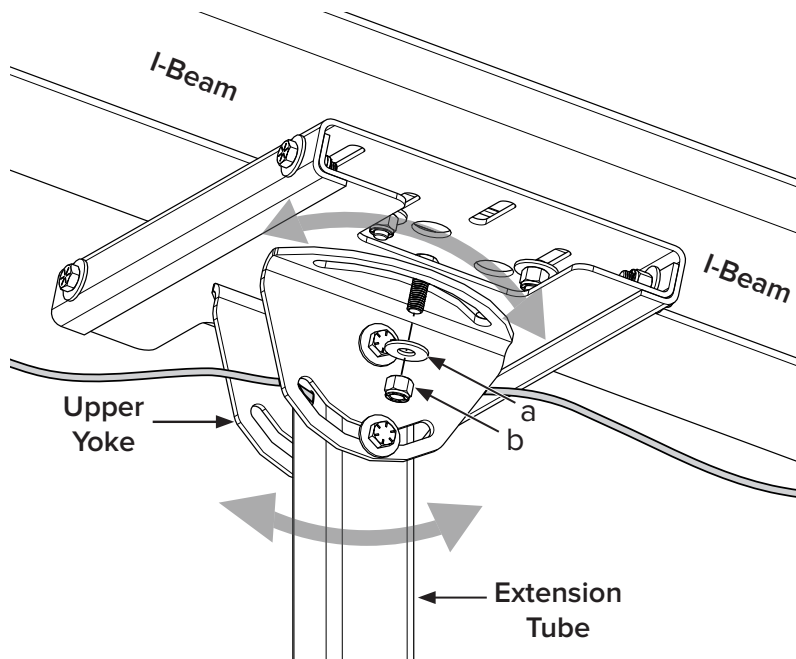
#### 4. Position extension tube

Loosely attach the upper yoke to the compound angle mount with two washers, nuts, and previously installed bolts (step 2). Do not fully tighten. Ensure the extension tube and upper yoke can move freely on their loose hardware.

Swivel the upper yoke and extension tube until the extension tube is plumb to the ground. Finger tighten all hardware until snug.

##### Mounting Hardware:

- a. (2) 1/2" Flat Washer
- b. (2) 1/2-13 Nylock Nut

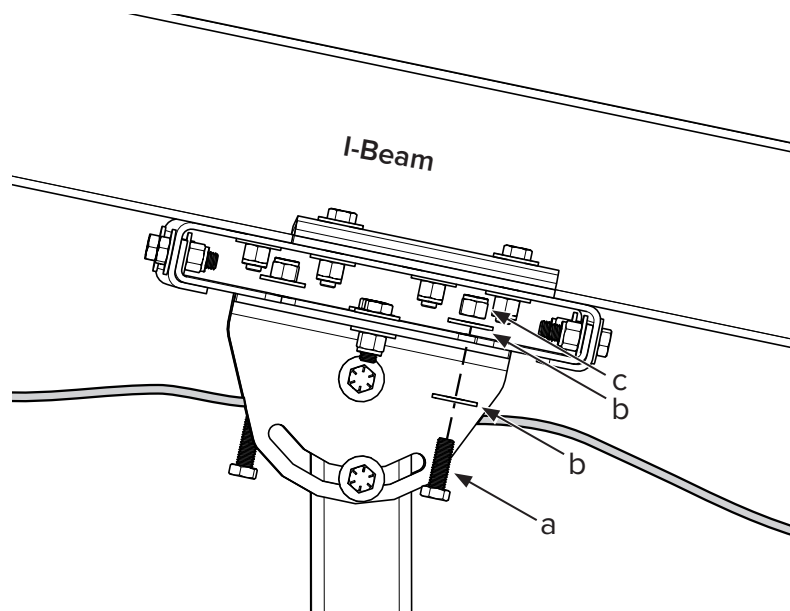
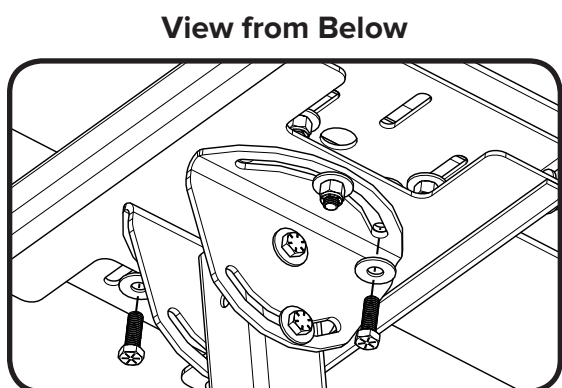


#### 5. Secure upper yoke to compound angle mount plate

Once properly positioned, secure the upper yoke to the compound angle mount with the remaining mounting hardware. Securely tighten all the hardware. *Note: The location of the bolts depends on the orientation of the extension tube.*

##### Mounting Hardware:

- a. (2) 1/2-13 x 2" Bolt
- b. (4) 1/2" Flat Washer
- c. (2) 1/2-13 Nylock Nut

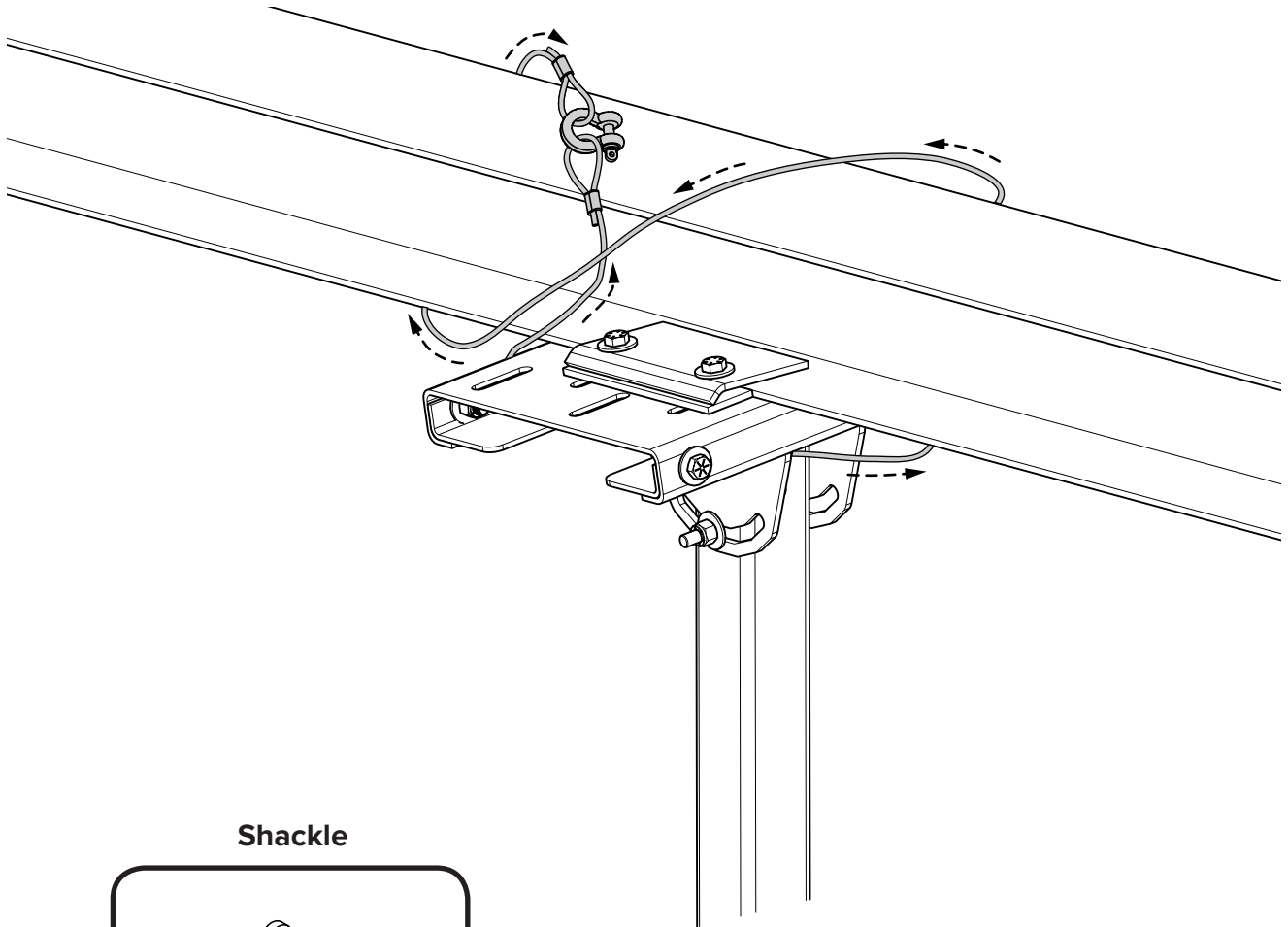


## 6. Install safety cable

### ATTENTION

The safety cable is a crucial part of the fan and must be installed correctly. If you have questions, please contact Big Ass Fans at 1-877-BIG-FANS.

Secure the safety cable by wrapping it around the I-beam and connecting the looped ends with the shackle as shown. The cable must be drawn tightly around the I-beam, leaving as little slack as possible. If possible, the shackle should be on the topside of the I-beam. Securely tighten the shackle.



Shackle

