

ISIS COMPOUND ANGLE MOUNT

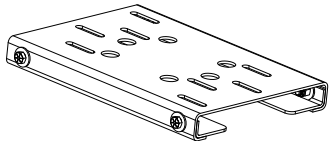
The following instructions are for installing Isis® fans on I-beams using the Compound Angle Mount kit. Consult the complete Isis Installation Guide for all other aspects of fan installation and safety guidelines.

⚠ CAUTION: It is not recommended to mount a Big Ass Fan to a fabricated I-beam.

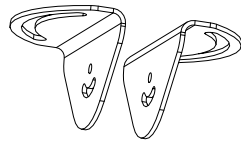
⚠ CAUTION: The I-beam on which the fan will be mounted must be part of the existing building structure.

Parts and Hardware

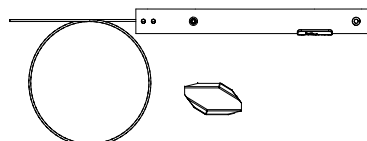
If you are missing any parts or hardware, contact Customer Service. Note: Illustrations not to scale.



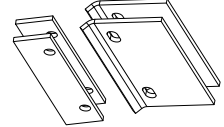
Compound Angle Mount



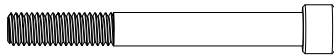
Upper Yoke



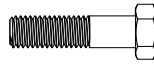
Extension Tube & Shackle



(2) Beam Clip & Spacer



(2) 3/8-16 x 3-1/2" Socket Head Cap Screw²



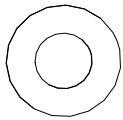
(4) 1/2-13 x 2" Hex Head Cap Screw



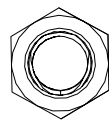
(4) 1/2-13 x 1/2" Hex Head Cap Screw



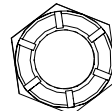
(4) 3/8" Flat Washer²



(16) 1/2" Flat Washer



(2) 3/8-16 Nylock Nut²



(8) 1/2-13 Nylock Nut

1. Included with the fan. The safety cable is attached to the extension tube with a 3/8" bolt and nut.
2. Included on the fan mounting hardware board.

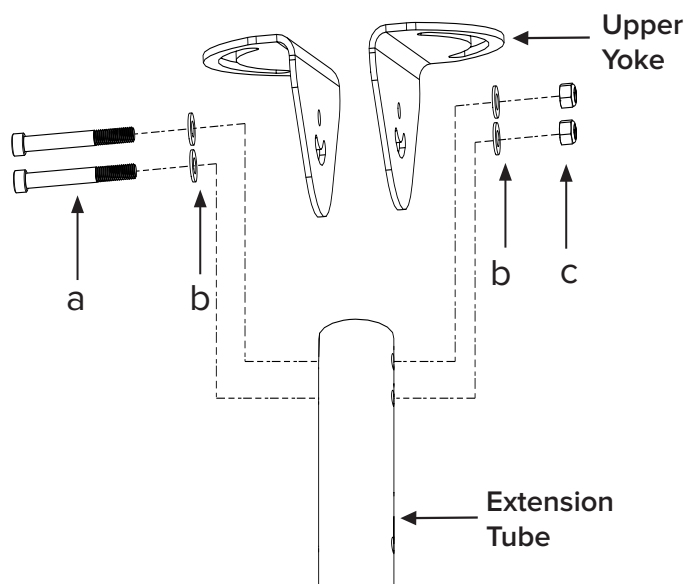
Installation

Follow the steps below to ensure the compound angle mount is properly mounted in the correct sequence.

1. Preassemble yoke and extension tube

Secure the extension tube (included with the fan) to the upper yoke flanges with the Extension Tube Hardware (included on the fan mounting hardware board). Do not fully tighten the hardware.

Note: The safety cable, which is attached to the extension tube, is not shown in the illustration.

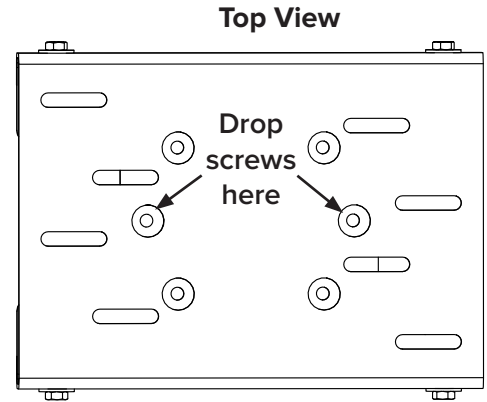
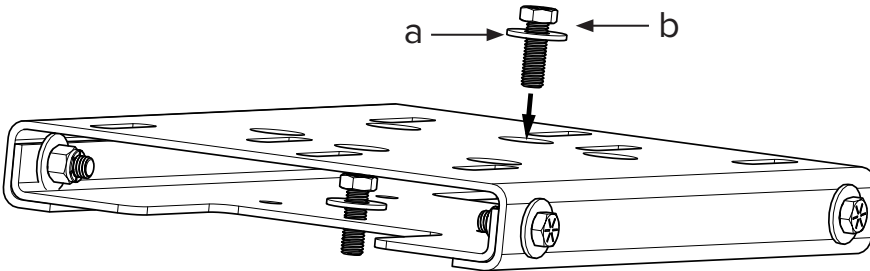


2. Prepare compound angle mount

Drop two (2) 1/2-13 x 1-1/2" screws and washers into the holes of the compound angle mount as shown. These screws will be used to attach the upper yoke in step 4.

Mounting Hardware:

- a. (2) 1/2-13 x 1-1/2" Hex Head Screw
- b. (2) 1/2" Flat Washer



3. Secure compound angle mount (to I-beam)

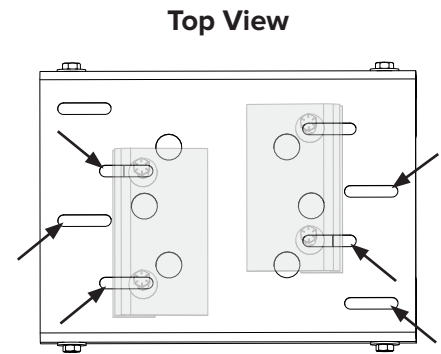
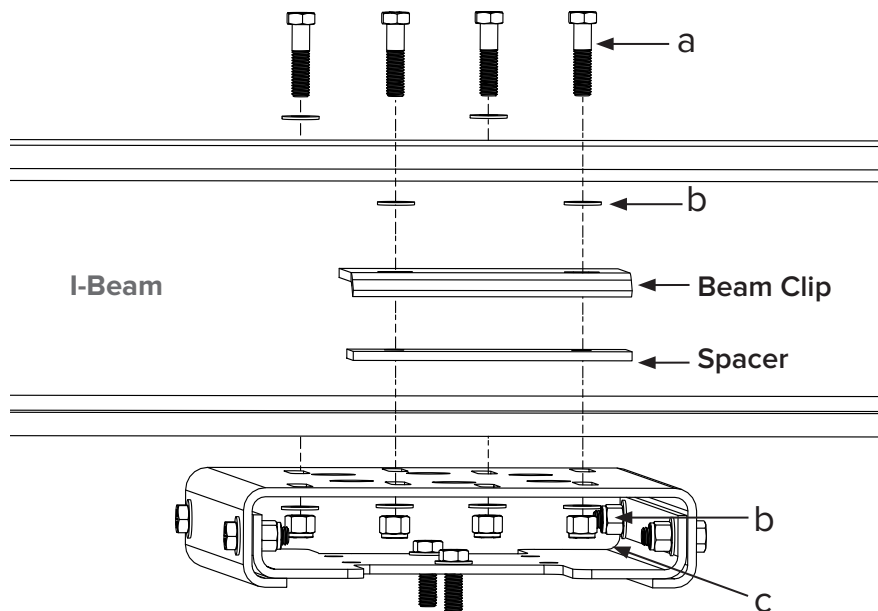
ATTENTION

Ensure step 2 is completed before completing step 3.

Attach the compound angle mount to the I-beam with the Beam Clip Hardware. Make sure the screws are installed in the slotted holes as shown. Two sets of slotted holes are provided on each side of the mount to accommodate various beam sizes. Torque the screws to 40 ft-lb (54.2 N-m).

Beam Clip Hardware:

- a. (4) 1/2-13 x 2" Hex Head Cap Screw
- b. (8) 1/2" Flat Washer
- c. (4) 1/2-13 Nylock Nut



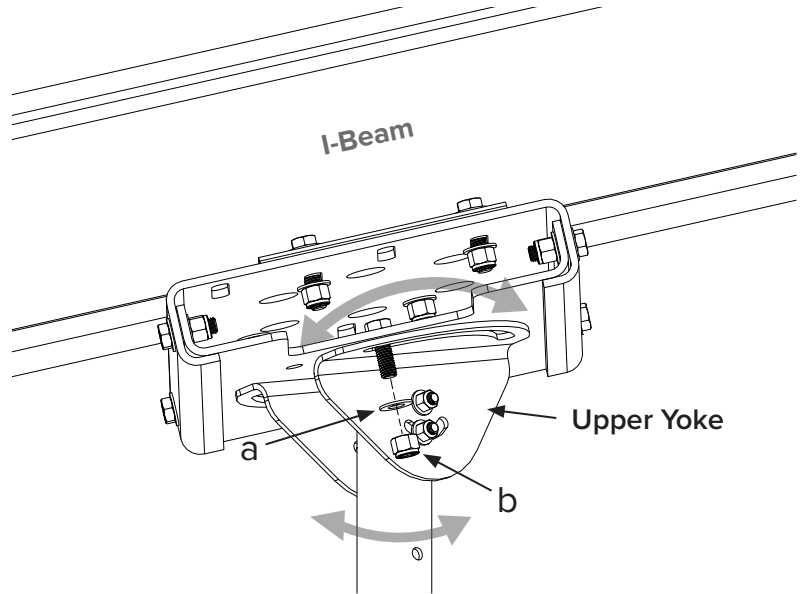
4. Position extension tube

Loosely attach the upper yoke to the compound angle mount with two (2) washers, nuts, and previously installed screws (step 2). Do not fully tighten. Ensure the extension tube and upper yoke can move freely on their loosened hardware.

Swivel the upper yoke and extension tube until the extension tube is plumb to the ground. Finger tighten all hardware until snug.

Mounting Hardware:

- a. (2) 1/2" Flat Washer
- b. (2) 1/2-13 Nylock Nut



5. Secure upper yoke to compound angle mount plate

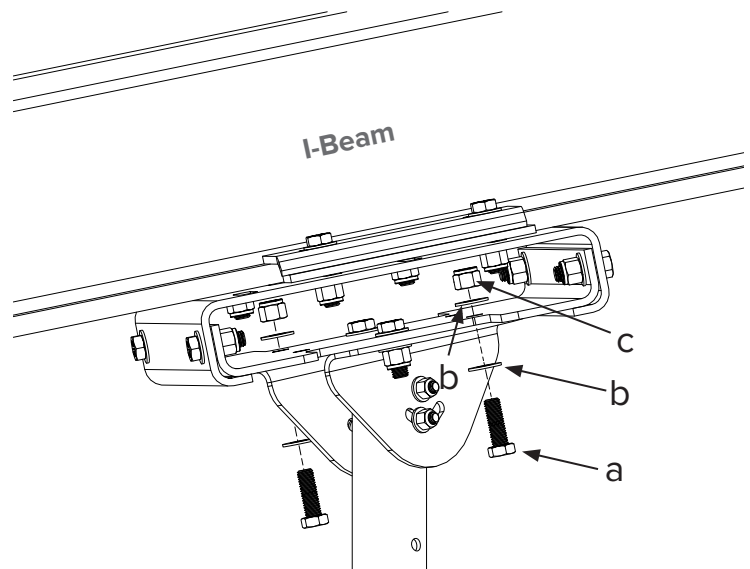
Once properly positioned, secure the upper yoke to the compound angle mount with the remaining mounting hardware as shown. Securely tighten all the hardware.

Note: The location of the screws depends on the orientation of the extension tube.

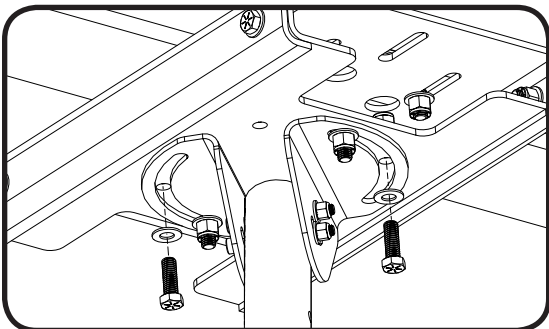
Note: The safety cable, which is attached to the extension tube, is not shown in the illustration below.

Mounting Hardware:

- a. (2) 1/2-13 x 1-1/2" Hex Head Cap Screw
- b. (4) 1/2" Flat Washer
- c. (2) 1/2-13 Nylock Nut



View from Below

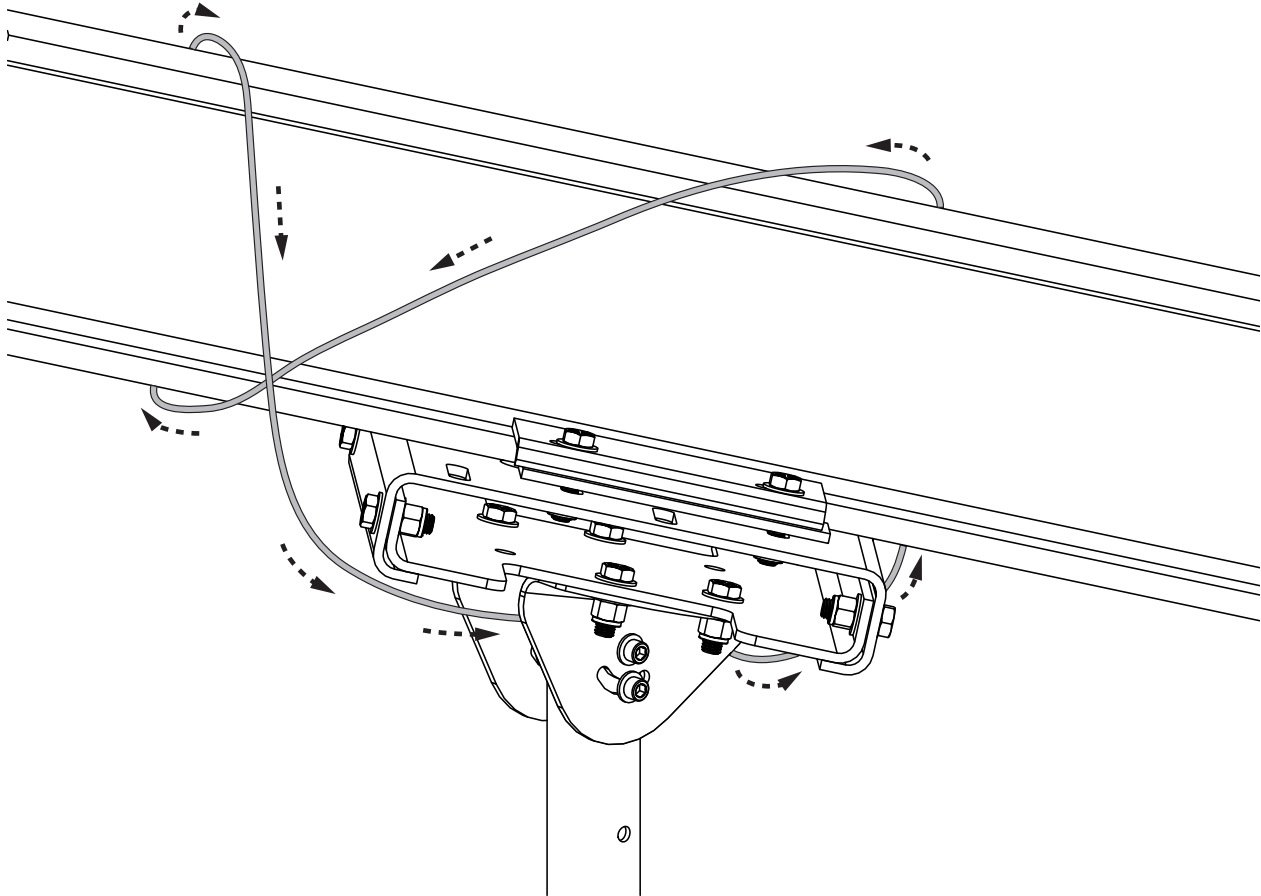


6. Install safety cable

ATTENTION

The safety cable is a crucial part of the fan and must be installed correctly. If you have any questions, call Customer Service at 1-877-BIG-FANS.

Secure the safety cable to the I-beam by wrapping it around the I-beam and securing the Gripple®. The cable must be drawn tightly around the I-beam, leaving as little slack as possible with the Gripple tucked inside the extension tube.



Gripple Inside Extension Tube

