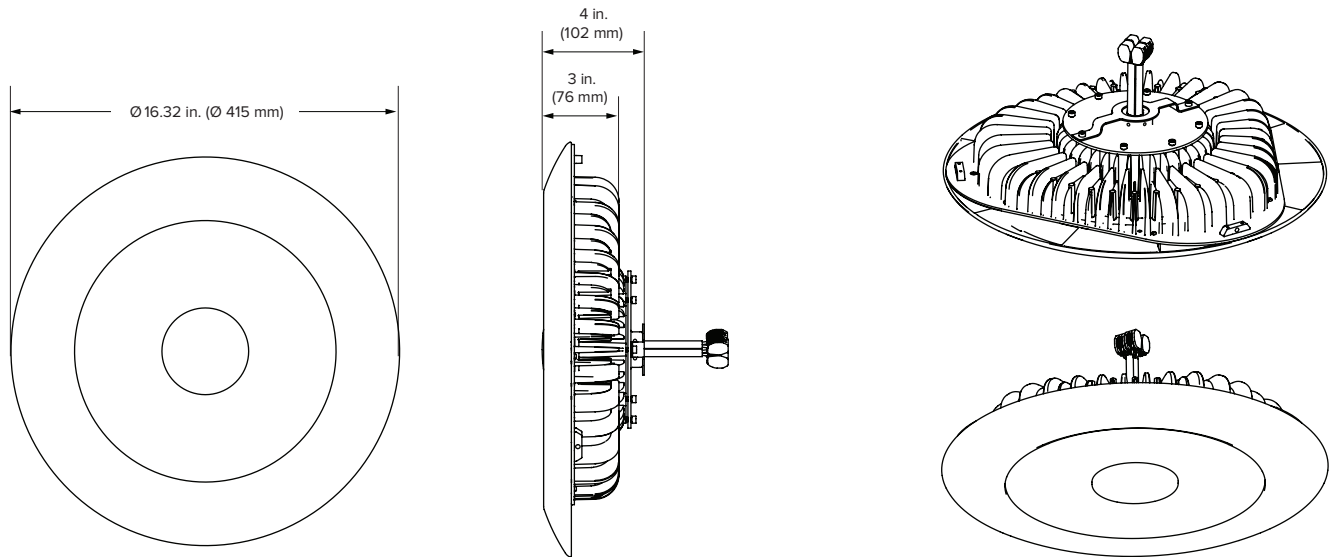
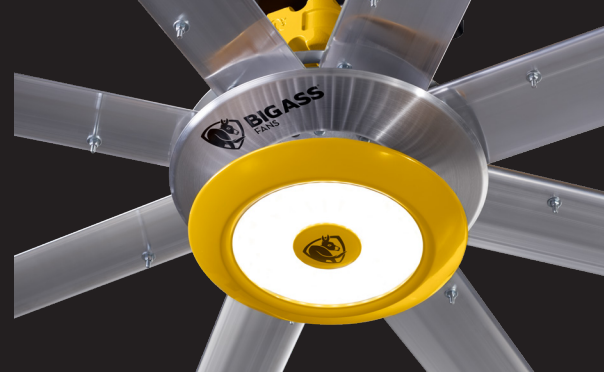


POWERFOIL X3.0 LED

PUT IT WHERE THE SUN DON'T SHINE



Construction Features

Installation	Lens	Output	Lifetime	Color	Certifications and Environment
Seamlessly integrates into existing building lighting grids	30°, 80°, or a 100° diffused lens options for soft, maximized spread	9,050 lm 13,060 lm 20,700 lm	L70 rating of up to 100,000 hours	Powerfoil Yellow	UL-listed for wet locations DLC-qualified

Technical Specifications

Model	Weight (with Power Supply)	Output	Wattage	Efficacy	Voltage	CRI	Color Temperature
05217-01-090	19.2 lb (8.7 kg)	Up to 9,050 lm	90 W	100 lm/W	120–277 V	75	5700 K 4200 K
05217-01-130	19.2 lb (8.7 kg)	Up to 13,060 lm	130 W	111 lm/W			
05217-01-240	26.5 lb (12 kg)	Up to 20,700 lm	220 W	94 lm/W			



¹ 10,500 lumen option available upon special request.
² 347–480 V option available upon special request.

Lead times may vary.
 See full warranty for coverage information.



USA
 BIGASSFANS.COM
 877-244-3267

CANADA
 BIGASSFANS.COM
 844-924-4277

AUSTRALIA
 BIGASSFANS.COM/AU
 1300 244 277

SINGAPORE
 BIGASSFANS.COM/SG
 65 6709 8500

MALAYSIA
 BIGASSFANS.COM/SG
 603 5565 0888