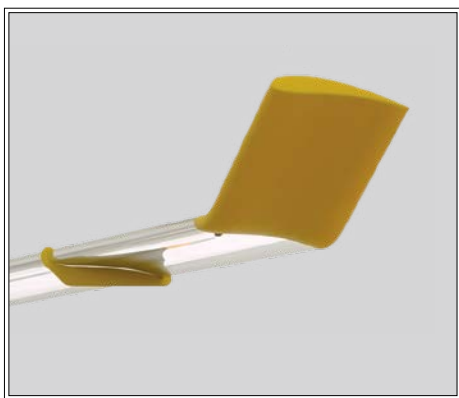


# Powerfoil® X2.0

So durable, you'll retire before it does.



The Powerfoil X2.0 Plus winglets create deeper jets of air, sending airflow over and around floor obstructions. Patent-pending AirFences optimize circulation by redirecting air traveling across the foils.

Big Ass Fans® engineers designed and thoroughly tested the Powerfoil X2.0 to provide the most reliable air movement solution ever built for large spaces. The Powerfoil X2.0 provides comfort and energy savings year-round and is so dependable, we back it with an unprecedented 15-year, nonprorated warranty with our factory certified installation in the US and Canada.

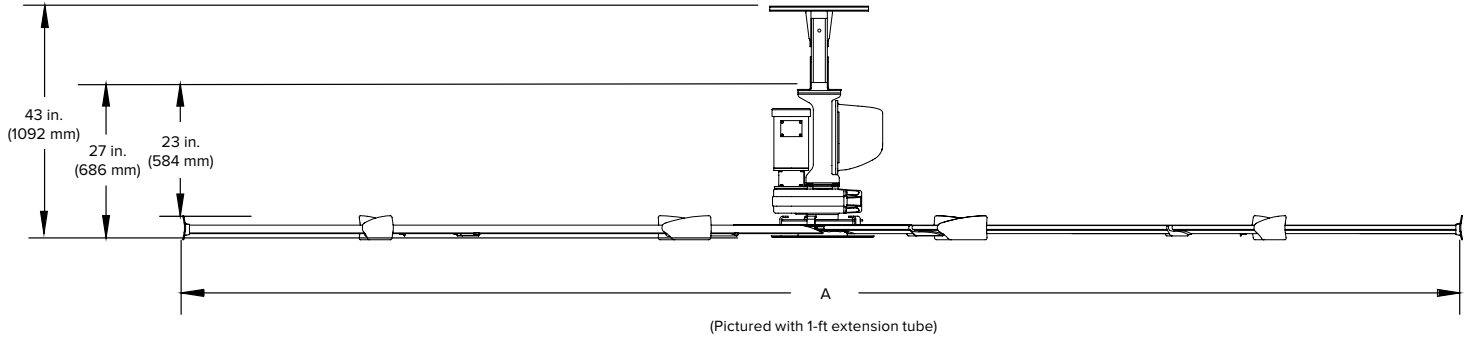
## Features and Benefits

- Patented system of 10 airfoils, Powerfoil winglets and AirFence(R) technology sets the world standard for airflow. In summer, Powerfoil X2.0 creates a cooling effect of up to 10°F (5.6°C). In winter, Powerfoil X2.0 gently pushes down warm air trapped at ceilings, resulting in up to 30% savings on heating costs.
- NitroSeal drive gearbox is hermetically sealed for life and nitrogen-filled for zero moisture, contamination and maintenance.
- Patent-pending hub system features machine-cut precision components for a uniform load distribution that promotes overall longevity and durability.
- Onboard VFD virtually eliminates RFI and EMI noise.
- Fully-sealed drive enclosure ensures maximum durability, resists corrosion and reduces heat buildup for longer life.
- Wall-mounted keypad provides 100% control of an unlimited number of fans, troubleshooting and parameter adjustment from floor.
- Functional platform enables users to integrate options such as LED lights and cameras.
- Standard, power-on shutdown fire relay for seamless fire control panel integration.
- Entire fan is ETL certified to UL 507/CSA C22.2 No. 113, ensuring that your fan meets North American safety requirements.



# Powerfoil X2.0

## TECHNICAL SPECIFICATIONS



### Technical Specifications

| Model                                     | Powerfoil X2.0   |                    |  |  |  |                    |   |                    |
|---|--|--------------------|--|--|--|--------------------|---|--------------------|
| Number and type of airfoils               | 10 patented Powerfoil airfoils and winglets<br>10 patent-pending AirFences   |                    |  |  |  |                    |   |                    |
| Airfoil finish                            | Mill finish aluminum   |                    |  |  |  |                    |   |                    |
| Winglet (standard color)                  | Powerfoil winglet (safety yellow)  |                    |  |  |  |                    |   |                    |
| Fan diameter (A)                          | 8 ft   | 10 ft              | 12 ft  | 14 ft  | 16 ft  | 18 ft              | 20 ft   | 24 ft              |
| Fan weight <sup>1</sup>                   | 218 lb<br>(99 kg)  | 231 lb<br>(105 kg) | 241 lb<br>(109 kg)                                       | 268 lb<br>(122 kg)   | 270 lb<br>(122 kg)                                       | 289 lb<br>(131 kg) | 306 lb<br>(139 kg)  | 372 lb<br>(169 kg) |
| Motor                                     | 1.0 hp (0.75 kW)   |                    |  | 1.5 hp (1.1 kW)  |  |                    | 2.0 hp (1.5 kW)   |                    |
| Maximum speed                             | 113 RPM  |                    | 106 RPM  | 95 RPM   |  | 77 RPM             | 70 RPM  | 55 RPM             |
| Input power and required breaker          | 200–250 VAC, 50/60 Hz, 1 Φ, 20 A<br>200–250 VAC, 50/60 Hz, 3 Φ, 10 A<br>400–480 VAC, 50/60 Hz, 3 Φ, 10 A<br>575–600 VAC, 50/60 Hz, 3 Φ, 10 A |                    |  | 200–250 VAC, 50/60 Hz, 1 Φ, 30 A<br>200–250 VAC, 50/60 Hz, 3 Φ, 20 A<br>400–480 VAC, 50/60 Hz, 3 Φ, 10 A<br>575–600 VAC, 50/60 Hz, 3 Φ, 10 A |  |                    |   |                    |
| Maximum full load current                 | 4.4 A @ 200–250 VAC, 1 Φ<br>3.2 A @ 200–250 VAC, 3 Φ<br>1.5 A @ 400–480 VAC, 3 Φ<br>1.3 A @ 575–600 VAC, 3 Φ                                 |                    |  | 8.7 A @ 200–250 VAC, 1 Φ<br>5.0 A @ 200–250 VAC, 3 Φ<br>2.5 A @ 400–480 VAC, 3 Φ<br>1.9 A @ 575–600 VAC, 3 Φ                                 |  |                    | 10.7 A @ 200–250 VAC, 1 Φ<br>6.2 A @ 200–250 VAC, 3 Φ<br>3.0 A @ 400–480 VAC, 3 Φ<br>2.3 A @ 575–600 VAC, 3 Φ |                    |
| Minimum airfoil clearances required       | 2 ft (0.6 m) on sides<br>4 ft (1.2 m) below ceiling deck   |                    | 2 ft (0.6 m) on sides<br>5 ft (1.5 m) below ceiling deck |  | 2 ft (0.6 m) on sides<br>6 ft (1.8 m) below ceiling deck |                    | 2 ft (0.6 m) on sides<br>7 ft (2.1 m) below ceiling deck  |                    |
| Standard mount                            | Small I-beam   |                    |  |  |  |                    |   |                    |
| Mount options                             | Large I-beam, spanned angle iron, L-brackets, Z-purlins  |                    |  |  |  |                    |   |                    |
| Controller                                | X-series, digital wall keypad  |                    |  |  |  |                    |   |                    |
| Onboard controller                        | ABS/PVC based enclosure, built-in heatsink   |                    |  |  |  |                    |   |                    |
| Gearbox                                   | NitroSeal™ drive (STÖBER®)   |                    |  |  |  |                    |   |                    |
| Sound level at maximum speed <sup>2</sup> | < 55 dBA   |                    |  |  |  |                    |   |                    |
| Safety features                           | Airfoil retainers, hub clips, safety cables, Grade 8 bolts, fire relay (must be wired during install)  |                    |  |  |  |                    |   |                    |
| Certifications (entire fan)               | ETL/Intertek-certified to ANSI/UL 507 and CSA C22.2 No. 113 in North America, and IEC 60335-1 and IEC 60335-2-80 internationally             |                    |  |  |  |                    |   |                    |
| Warranty <sup>3</sup>                     | 15-year, non-prorated warranty   |                    |  |  |  |                    |   |                    |

<sup>1</sup> Weight does not include mount or extension tube.

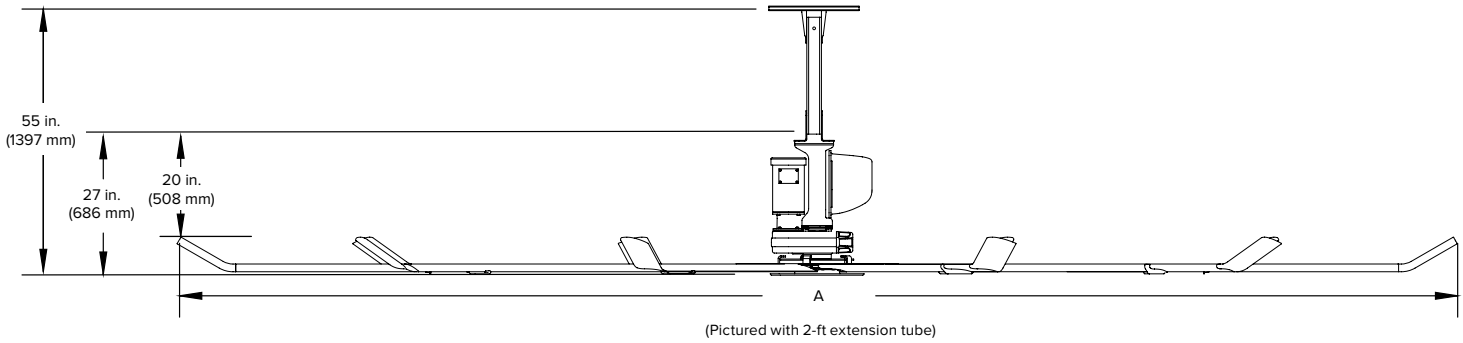
<sup>2</sup> Fans are sound tested at maximum speed in a laboratory environment. Actual results in field conditions may vary due to sound reflecting surfaces and environmental conditions.

<sup>3</sup> 15-year parts, 1-year labor warranty available in the US and Canada; certain exclusions apply. Warranties vary by country. See complete warranty for details.



# Powerfoil X2.0 Plus

## TECHNICAL SPECIFICATIONS



### Technical Specifications

|   |  |                 |  |   |  |                 |
|---|--|-----------------|--|---|--|-----------------|
| <b>Model</b>                                    | Powerfoil X2.0 Plus  |                 |  |   |  |                 |
| <b>Number and type of airfoils</b>              | 10 patented Powerfoil airfoils and winglets<br>10 patent-pending AirFences   |                 |  |   |  |                 |
| <b>Airfoil finish</b>                           | Mill finish aluminum   |                 |  |   |  |                 |
| <b>Winglet (standard color)</b>                 | Powerfoil plus winglets (safety yellow)  |                 |  |   |  |                 |
| <b>Fan diameter (A)</b>                         | 12 ft  | 14 ft           | 16 ft  | 18 ft   | 20 ft  | 24 ft           |
| <b>Fan weight<sup>1</sup></b>                   | 247 lb (112 kg)  | 273 lb (124 kg) | 279 lb (127 kg)  | 301 lb (137 kg)   | 355 lb (161 kg)  | 378 lb (171 kg) |
| <b>Motor</b>                                    | 1.5 hp (1.1 kW)  |                 |  | 2.0 hp (1.5 kW)   |  |                 |
| <b>Maximum speed</b>                            | 95 RPM   |                 | 77 RPM   | 70 RPM  | 58 RPM   | 48 RPM          |
| <b>Input power and required breaker</b>         | 200–250 VAC, 50/60 Hz, 1 $\Phi$ , 30 A<br>200–250 VAC, 50/60 Hz, 3 $\Phi$ , 20 A<br>400–480 VAC, 50/60 Hz, 3 $\Phi$ , 10 A<br>575–600 VAC, 50/60 Hz, 3 $\Phi$ , 10 A |                 |  |   |  |                 |
| <b>Maximum full load current</b>                | 8.7 A @ 200–250 VAC, 1 $\Phi$<br>5.0 A @ 200–250 VAC, 3 $\Phi$<br>2.5 A @ 400–480 VAC, 3 $\Phi$<br>1.6 A @ 575–600 VAC, 3 $\Phi$                                     |                 |  | 10.7 A @ 200–250 VAC, 1 $\Phi$<br>6.2 A @ 200–250 VAC, 3 $\Phi$<br>3.0 A @ 400–480 VAC, 3 $\Phi$<br>2.3 A @ 575–600 VAC, 3 $\Phi$ |  |                 |
| <b>Minimum airfoil clearances required</b>      | 2 ft (0.6 m) on sides<br>6 ft (1.8 m) below ceiling deck   |                 | 2 ft (0.6 m) on sides<br>7 ft (2.1 m) below ceiling deck |   | 2 ft (0.6 m) on sides<br>8 ft (2.4 m) below ceiling deck |                 |
| <b>Standard mount</b>                           | Small I-beam   |                 |  |   |  |                 |
| <b>Mount options</b>                            | Large I-beam, spanned angle iron, L-brackets, Z-purlins  |                 |  |   |  |                 |
| <b>Controller</b>                               | X-series, digital wall keyboard  |                 |  |   |  |                 |
| <b>Onboard controller</b>                       | ABS/PVC based enclosure, built-in heatsink   |                 |  |   |  |                 |
| <b>Gearbox</b>                                  | NitroSeal <sup>®</sup> drive (STÖBER <sup>®</sup> )  |                 |  |   |  |                 |
| <b>Sound level at maximum speed<sup>2</sup></b> | < 55 dBA   |                 |  |   |  |                 |
| <b>Safety features</b>                          | Airfoil retainers, hub clips, safety cables, Grade 8 bolts, fire relay (must be wired during install)  |                 |  |   |  |                 |
| <b>Certifications (entire fan)</b>              | ETL/Intertek-certified to ANSI/UL 507 and CSA C22.2 No. 113 in North America,<br>and IEC 60335-1 and IEC 60335-2-80 internationally                                  |                 |  |   |  |                 |
| <b>Warranty<sup>3</sup></b>                     | 15-year, non-prorated warranty   |                 |  |   |  |                 |

<sup>1</sup> Weight does not include mount or extension tube.

<sup>2</sup> Fans are sound tested at maximum speed in a laboratory environment. Actual results in field conditions may vary due to sound reflecting surfaces and environmental conditions.

<sup>3</sup> 15-year parts, 1-year labor warranty available in the US and Canada; certain exclusions apply. Warranties vary by country. See complete warranty for details.

