

YELLOW JACKET PEDESTAL HANDLE

The following instructions are for installing the Yellow Jacket® pedestal handle on a fan that is mounted to a portable base. Consult the Yellow Jacket installation guide for all other aspects of fan installation and operation.

⚠ WARNING: Disconnect the fan from power before installation!

Installation

If you are installing the pedestal handle on a previously assembled fan with a portable base and one (1) pedestal, remove the (4) bolts, (8) washers, (4) nuts (Pedestal Hardware) and the fan yoke from the pedestal. Set the Pedestal Hardware aside. You will use it to reattach the fan yoke and pedestal handle to the pedestal.

If you are installing the pedestal handle on a previously assembled fan with a portable base and two (2) pedestals, remove the (4) bolts, (8) washers, (4) nuts (Pedestal Hardware) and the fan yoke from the upper pedestal. Next, remove the (4) bolts, (8) washers, (4) nuts (Pedestal Hardware) and the upper pedestal from the lower pedestal. Set all hardware aside to later reattach the upper pedestal, pedestal handle, and fan yoke to the lower pedestal.

1. Assemble portable base

In the Yellow Jacket installation guide, follow the steps under *Mounting Method: Portable Base* to secure the wheels and pedestal. If you are installing two pedestals, do not attach the second pedestal yet.

2. Attach yoke and pedestal handle (to pedestal)

If you are installing two pedestals, skip this step and proceed to step 3.

Make sure the position locking pin is secured prior to attaching the yoke to the pedestal.

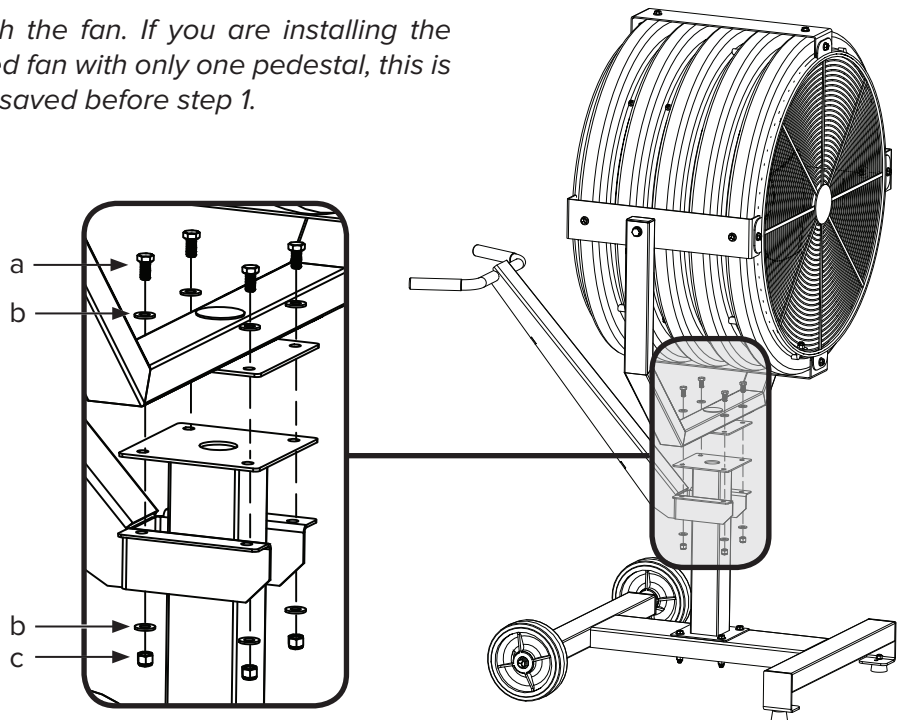
After securing the wheels and pedestal to the portable base, attach the fan yoke and pedestal handle to the top of the pedestal. Make sure the pedestal handle is on the same side as the wheels.

Note: Pedestal Hardware is included with the fan. If you are installing the pedestal handle on a previously assembled fan with only one pedestal, this is the Pedestal Hardware you removed and saved before step 1.

Proceed to *Electrical Installation* in the Yellow Jacket Installation Guide.

Pedestal Hardware:

- a. (4) 3/8-16 x 1" Hex Head Cap Screw
- b. (8) 3/8" Washer
- c. (4) 3/8"-16 Nylock Nut



3. Attach second pedestal and pedestal handle (to first pedestal)

Up to two (2) pedestals can be installed.

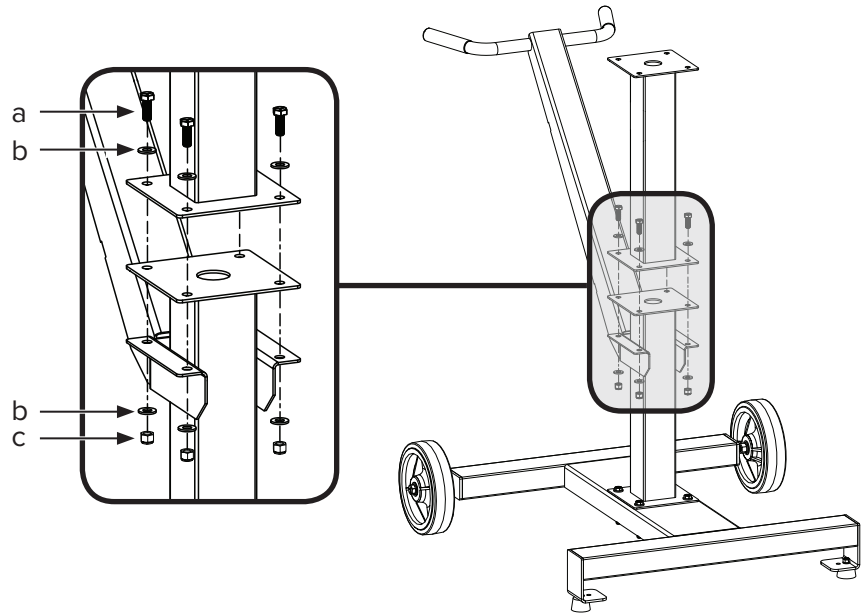
After securing the wheels and first pedestal to the portable base, attach the second pedestal and pedestal handle to the top of the first pedestal. Ensure the pedestal handle is on the same side as the wheels.

Note: Pedestal Hardware below is included with the fan. If you are installing the pedestal handle on a previously assembled fan with two pedestals, this is half of the Pedestal Hardware you removed and saved before step 1.

Proceed to step 4.

Pedestal Hardware:

- a. (4) 3/8"-16 x 1" Hex Head Cap Screw
- b. (8) 3/8" Washer
- c. (4) 3/8"-16 Nylock Nut



4. Attach yoke (to second pedestal)

Ensure the position locking pin is secured prior to attaching the yoke to the pedestal.

After securing the second pedestal and pedestal handle to the first pedestal, attach the fan yoke to the top of the second pedestal.

Note: The Pedestal Hardware listed below is included with the fan. If you are installing the pedestal handle on a previously assembled fan with two pedestals, this is half of the Pedestal Hardware you removed and saved before step 1.

Proceed to *Electrical Installation* in the Yellow Jacket Installation Guide.

Pedestal Hardware:

- a. (4) 3/8"-16 x 1" Hex Head Cap Screw
- b. (8) 3/8" Washer
- c. (4) 3/8"-16 Nylock Nut

